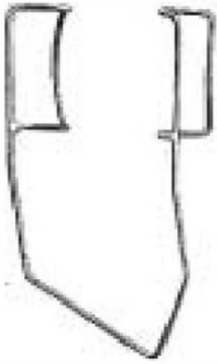


Ghuffi instrumentos



Ophthalmologie
Ophthalmology
Oftalmología

21



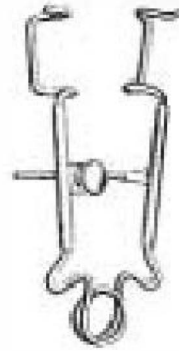
BARRAQUER(Colibri)

3 cm **48001-3**
4 cm **48001-4**



BOWMAN

7 cm **48002-7**



CRITCHETT

7 cm **48003-7**



SMITH

5 cm **48004-5**



CLARK

8 cm **48005-8**



GRAEFE

7 cm **48006-7**
9 cm **48006-9**



WEEK

8 cm **48007-8**



ARRUGA

7 cm **48008-7**
rechts/right



ARRUGA

7,0 cm **48009-7**
links/left



MURDOCK

5 cm **48010-5**



MELLINGER-AXENFELD

7 cm **48011-7**



MELLINGER-AXENFELD

7 cm **48012-7**



MELLINGER

5 cm **48013-5**
7 cm **48013-7**



LISTER-BURCH

8 cm **48014-8**



WILLIAMS

8 cm **48015-8**



LANCASTER

7,0 cm **48016-7**



ZIEGLER

7 cm **48017-7**



CASTROVIEJO

8,0 cm **48018-8**



PARK

8,0 cm **48019-8**



MUELLER

7,0 cm **48020-7**



GOLDSTEIN

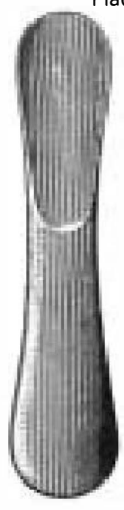
3,0 cm **48021-3**



STEVENSON

7,0 cm **48022-7**

Lidplatte
 Lid Plate
 Placa para párpados



JAEGER

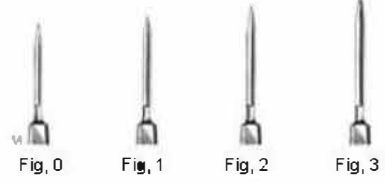
11,0 cm **48023-11**



GRAEFE

Fig.0 **48024-0**
 Fig.1 **48024-1**
 Fig.2 **48024-2**
 Fig.3 **48024-3**

Starmesser
 Cataract Knives
 Bisturías para catarata



DEUTSCHMANN

13,0 cm **48025-13**



Fig. 1



Fig. 2



Fig. 3



JAEGER

Fig.1 **48026-1**
 Fig.2 **48026-2**
 Fig.3 **48026-3**



Fig. 1



Fig. 2



Fig. 3

JAEGER 45°

Fig.1 **48027-1**
 Fig.2 **48027-2**
 Fig.3 **48027-3**



BERENS

13 cm **48028-13**



CASTROVIEJO

4 x 13 mm
 13 cm **48029-13**



GRAEFE

13 cm **48030-13**



Fig, 1



Fig, 2



Fig, 3

KNAPP

Fig.1 **48031-1**
 Fig.2 **48031-2**
 Fig.3 **48031-3**



Fig, 1
 5 mm



Fig, 2
 6 mm



Fig, 3
 7 mm

ZIEGLER

Fig.1/5 mm **48032-1**
 Fig.2/6 mm **48032-2**
 Fig.3/7 mm **48032-3**



DEAN

12,5 cm **48033-12**



BOWMAN

0,4 mm
 13 cm **48034-13**



0,8 mm
 13 cm **48034-13**



WHEELER

12 cm **48035-12**



ZIEGLER

11 cm
3,5 mm 48036-11



SATO

12,5 cm 48037-12



TOOK

12 cm 48038-12



GILL

12 cm 48039-12



ELSCHNIG

13 cm 48040-13



KUHNT

Fig.1 48041-1



KUHNT

Fig.2 48042-2



KUHNT

Fig.3 48043-3



KUHNT

Fig.4 48044-4



PATON

12 cm 48045-12



LUNDSGAARD

12 cm 48046-12



GUYTON LUNDSGAARD

48047-1



BARRKAN

48048-1



SCHEIE

48049-1



BURCH

48050-1



PAUFIQUE

48051-1



BARRAQUER

48052-1



48053-1



48054-1



BOWMAN

48055-1



BOWMAN

48056-1



48057-1



48058-1



LEVINSON

48059-1



FRANCIS

48060-1



DAVIS

13 cm 48061-13



LA FORCE

48062-1



DIX

48063-1



ELLIS

48064-1



WALTON

48065-1



WALTON

48066-1



ALVIS

48067-1



GREEN

48068-1



ROLLET

48069-1



Fig. 1

Fig. 2

Fig. 3

GRAEFE

Fig.1 48070-1
Fig.2 48070-2
Fig.3 48070-3



JAMESON

48071-1



GREEN

48072-1



STEVENS

48073-1

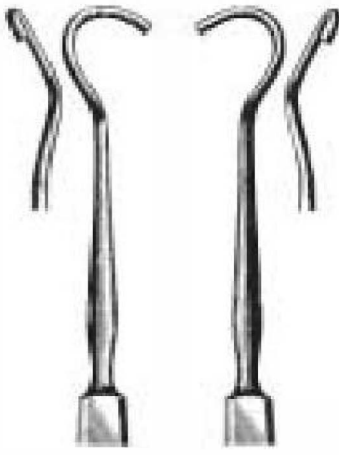


Fig. 1

Fig. 2

ARRUGA

Fig.1 48074-1
Fig.2 48074-2



O'CONNOR

48075-1



WIENER

48076-1



WIENER

48077-1



ROLLET

48078-1



KNAPP

48079-1



Fig. 1



Fig. 2



Fig. 3

GRAEFE

- Fig.1 **48080-1**
Fig.2 **48080-2**
Fig.3 **48080-3**



BECKER

48081-1



Ø 0,5



Ø 1,0



Ø 1,5



Ø 3,5



Ø 4,0



Ø 4,5



Ø 1,8



Ø 2,0



Ø 2,5

MEYHOEFER

- Ø
0,5 mm **48082-05**
1,0 mm **48082-10**
1,5 mm **48082-15**
1,8 mm **48082-18**
2,0 mm **48082-20**
2,5 mm **48082-25**
3,5 mm **48082-35**
4,0 mm **48082-40**
4,5 mm **48082-45**



Ø 1,0



Ø 2,0



Ø 2,5



Ø 3,0



Ø 3,5

HEBRA

- Ø
1,0 mm **48083-10**
2,0 mm **48083-20**
2,5 mm **48083-25**
3,0 mm **48083-30**
3,5 mm **48083-35**



AXENFELD

48084-1



GRAEFE

Fig.1 **48085-1**
Fig.2 **48085-2**



DAVIEL

Fig.1 **48086-1**
Fig.2 **48086-2**



KNAPP

48087-1



BUNGE

Fig.1 **48088-1**
Fig.2 **48088-2**
Fig.3 **48088-3**



LANG

48089-1



Fig. 1



Fig. 2

WEBER

Fig.1 **48090-1**
 Fig.2 **48090-2**



SNELLEN

48091-1



Fig. 1



Fig. 2

WILDER

Fig.1 **48092-1**
 Fig.2 **48092-2**



ARLT

Fig.1 **48093-1**
 Fig.2 **48093-2**

Iris Spatel
 Iris Spatula
 Espátula para Iris



Fig. 1



Fig. 2

WECKER

Fig.1 **48094-1**
 Fig.2 **48094-2**



CULLER

48095-1



WELLS

48096-1



ARRUGA

48097-1

Schützer
 Protector
 Protector

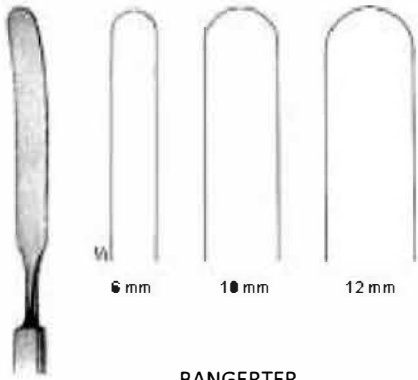
Kauter
 Cauter
 Cauterio



WADSWORTH-TODD

48098-1

Zyklodialyse
 Cyclodialysis
 Ciclodíalisis



BANGERTER

6 mm **48099-06**
 10 mm **48099-10**
 12 mm **48099-12**



Fig. 1 Fig. 2

CASTROVIEJO

Fig.1 **48100-1**
 Fig.2 **48100-2**



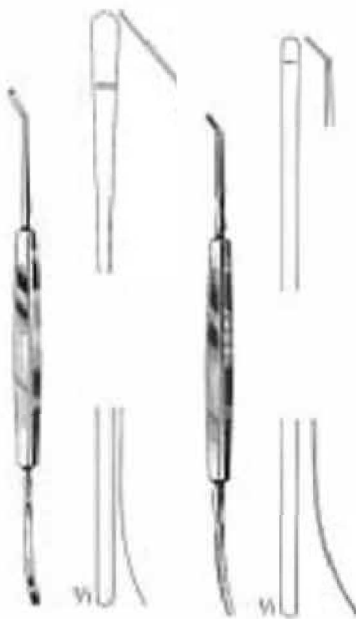
ELSCHNIG

1,2 x 12 mm
48101-12



CASTROVIEJO

0,8 x 15 mm
48102-15



CASTROVIEJO

48103-1

WHEELER

48104-1



CASTROVIEJO

0,5 mm **48105-05**
 0,75 mm **48105-07**
 1,0 mm **48105-10**



DIX

48106-1



DIX

48107-1



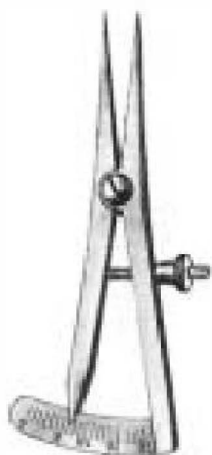
DIX

48108-1



DIX

48109-1



CASTROVIEJO

0-20 mm **48110-1**



CONNIN-AMSLER

48111-1



DASTOOR

6,0 cm **48112-6**



HOLTH

48113-1



WILDER

Fig.1 **48114-1**
 Fig.2 **48114-2**
 Fig.3 **48114-3**



ZIEGLER

Fig. 1 / 2 **48115-1**
 Fig. 3 / 4 **48115-3**
 Fig. 5 / 6 **48115-5**



CASTROVIEJO

48116-1



BOWMAN

Fig.1

Fig.2

	\varnothing	
48117-1-08	0,7 mm/0,8 mm	48117-2-08
48117-1-09	0,8 mm/0,9 mm	48117-2-09
48117-1-11	0,9 mm/1,1 mm	48117-2-11
48117-1-13	1,1 mm/1,3 mm	48117-2-13
48117-1-14	1,3 mm/1,4 mm	48117-2-14
48117-1-15	1,4 mm/1,5 mm	48117-2-15
48117-1-16	1,5 mm/1,6 mm	48117-2-16
48117-1-18	1,6 mm/1,8 mm	48117-2-18
48117-1-19	1,8 mm/1,9 mm	48117-2-19



GRAEFE

7 cm/1 mm **48118-7**



GRAEFE

7 cm/1 mm **48119-7**



GRAEFE

7 cm/1 mm **48120-7**



GRAEFE

7 cm/1 mm **48121-7**



Fig. 1



Fig. 2



Fig. 3



Fig. 4

1:2



Fig. 5

1:2



Fig. 6

1:2

GRAEFE

10,0 cm

Fig.1 **48122-1**

Fig.2 **48122-2**

Fig.3 **48122-3**

Fig.4 **48122-4**

Fig.5 **48122-5**

Fig.6 **48122-6**



Fig. 1



Fig. 2



Fig. 3



Fig. 4

1:2



Fig. 5

1:2



Fig. 6

1:2

STEVENS

10,5 cm

Fig.1 **48123-1**

Fig.2 **48123-2**

Fig.3 **48123-3**

Fig.4 **48123-4**

Fig.5 **48123-5**

Fig.6 **48123-6**



FOERSTER

8,5 cm 48124-8



FOERSTER

8,5 cm 48125-8



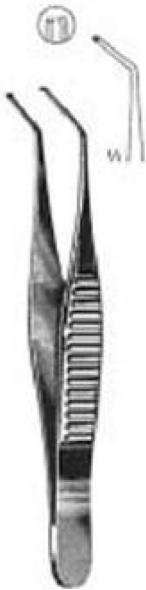
FOERSTER

8,5 cm 48126-8



FOERSTER

8,5 cm 48127-8



HESS

7 cm/0,3 mm
48128-7



HESS

7 cm/0,3 mm
48129-7



GILL

7,5 cm/0,3 mm
48130-7



GILL-HEISS

7,5 cm/0,3 mm
48131-7

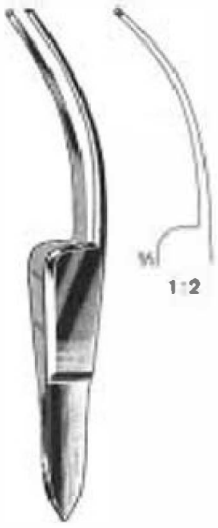


GILL-HEISS

7,5 cm/0,3 mm
48132-7

Zähne unten
Teeth below
Parte baja dentada

Zähne seitwärts
lateral screw
tornillo lateral



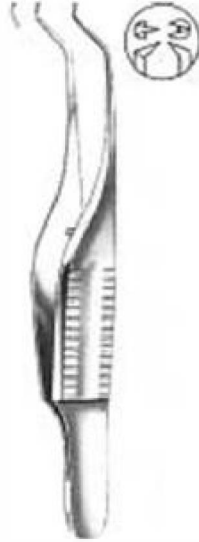
FISCHER

7 cm **48133-7**



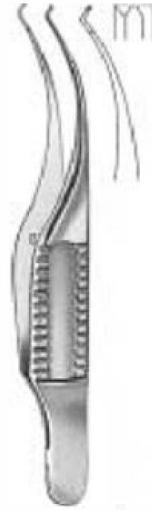
BARRAQUER-KATZIN

7 cm/0,4 mm **48134-7**



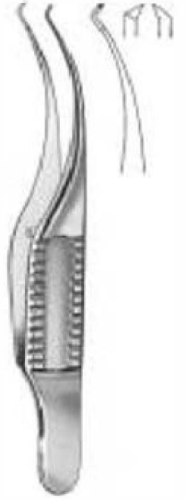
TROUTMAN (Colibri)

7 cm/0,12 mm **48135-7**



BARRAQUER (Colibri)

7 cm/0,12 mm **48136-7**



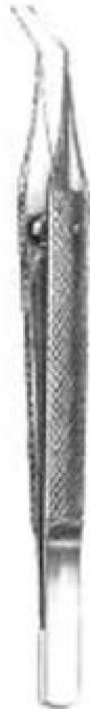
BARRAQUER (Colibri)

7 cm/0,12 mm **48137-7**



KIRBY-ARTHUR

9 cm/0,2 mm
48138-9



KIRBY-ARTHUR

9 cm/0,2 mm
48139-9



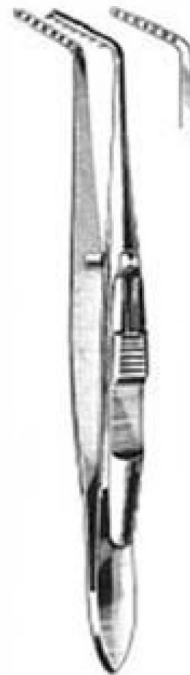
McCULLOUGH

9,5 cm
48140-9



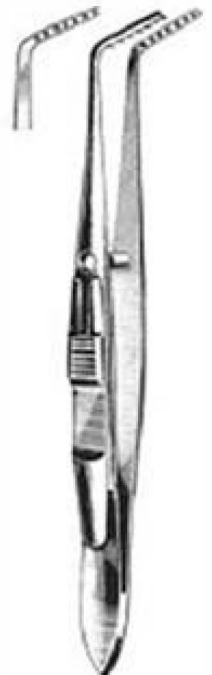
McCULLOUGH

9,5 cm
48140-9



JAMESON

48142-0-10 10,0 cm **48142-1-10**





BONACCOLTO

10 cm 48143-10



BONACCOLTO

10 cm 48144-10



BONACCOLTO

11 cm 48145-11



DASTOOR

11 cm 48146-11



DASTOOR

11 cm 48147-11



BISHOP-HARMAN

8,5 cm/0,5 mm
48148-8



BISHOP-HARMAN

8,5 cm/0,8 mm
48149-8



BISHOP-HARMAN

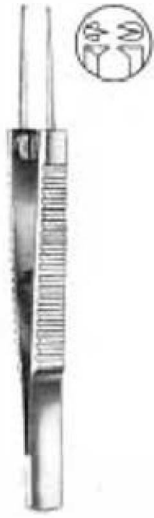
8,5 cm/0,5 mm
48150-8



BISHOP-HARMAN

8,5 cm/0,8 mm
48151-8





Mod. Bonn

7 cm/0,12 mm
48152-7



Mod. Bonn

7 cm/0,12 mm
48153-7

Titan
 Titanium
 Titanio



Mod. Bonn

10 mm/0,12 mm
48154-10



Mod. Tübingen

10,0 cm
48155-0-10
48155-1-10



Mod. Bonn

10 mm/0,12 mm
48156-0-10
48156-1-10



Mod. Tübingen

10,0 cm
48157-0-10
48157-1-10



PRINCE

48158-0-10 10 cm 48158-1-10



Fig. 1



Fig. 2

BERKE

Fig.1 48159-1
 Fig.2 48159-2

Rectus
 Recto



TROUTMAN

8,5 cm / 0,8 mm
 48160-8

Vorderkammer-Pinzette
 Anterior Chamber Forceps
 Pinzas para cámara anterior



BARRAQUER

5,5 cm/7 mm
 48161-5



ELSCHING

11,0 cm
 48162-11



GRAEFE

48163-2



48163-1
 mit Schloss
 with catch
 con cierre



LESTER

9 cm
 48164-9



CASTROVIEJO

48165-1



CASTROVIEJO

48166-2



CASTROVIEJO

48167-1



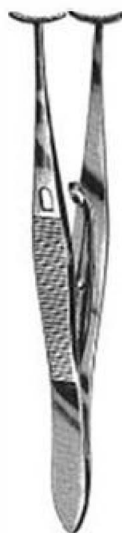
CASTROVIEJO

48168-1



BARRAQUER

10 cm 48169-10



GREEN

10,0 cm
 48170-0-05 5 mm
 48170-0-10 10 mm
 mit Schloss
 with catch
 con cierre

48170-1-05
 48170-1-10
 ohne Schloss
 without catch
 sin cierre



GILL-ARRUGA

7,5 cm
 48171-7



TERSON

9 cm **48172-9**



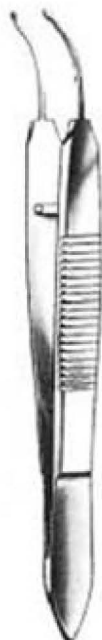
KALT

10 cm **48173-10**



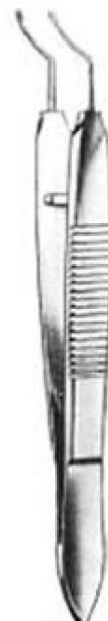
ELSCHING

10 cm **48174-10**



ARRUGA

10 cm **48175-10**



ARRUGA

10 cm **48176-10**



CASTROVIEJO

10 cm **48177-10**



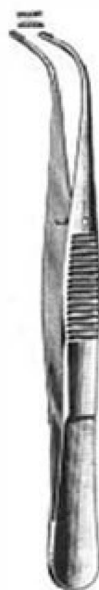
SCHWEIGGER

10 cm **48178-10**



SCHWEIGGER

10 cm **48179-10**



ELSCHING

10,0 cm **48180-10**



HESS

6 cm **48181-6**



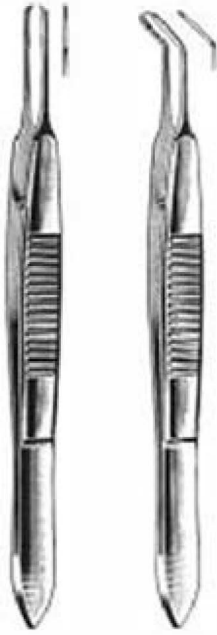
HESS

6,5 cm **48182-6**



FUCHS

7 cm **48183-7**



CASTROVIEJO

- 48184-0-01 0,12 mm -----
- 48184-0-03 0,3 mm -----
- 48184-0-05 0,5 mm **48184-1-05**
- 48184-0-10 1,0 mm **48184-1-10**
- 48184-0-15 1,5 mm **48184-1-15**

Titan
 Titanium
 Titanio



MOORFIELD

10 cm **48185-10**



St. MARTIN

7 cm **48186-7**



Mod. Tübingen

10,0 cm
48187-0-10
48187-1-10



PAUFIQUE

8,5 cm
48188-0-8
48188-1-8



PAUFIQUE

8,5 cm
48189-0-8
48189-1-8



McPHERSON

10,0 cm
48190-0-10
48190-1-8



McPHERSON

10,0 cm
48191-0-10
48191-1-8



AYER

9 cm 48192-9



AYER

9 cm 48193-9



LAMBERT

9 cm 48194-9



DESMARRES

9,0 cm

Fig.1 48195-1

Fig.2 48195-2

Fig.3 48195-3



Fig. 1



Fig. 2

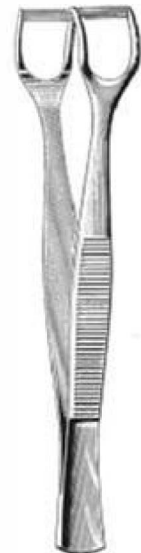


Fig. 3










SNELLEN

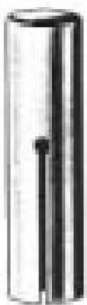
48196-0-10 10 cm 48196-1-10



KNAPP-LUER

11 cm 48197-11

						
SCHEIE	SCHEIE	Mod. Tübingen	Mod. Hamburg	SIMCOE	Mod. Bonn	Mod. Bonn
1,0 x 28 mm 48198-1	1,5 x 33 mm 48199-1	48200-1	48201-1	48202-1	48203-1	48204-1



Hornhaut-Trephinen
 Corneal Trephines
 Trepanador de cornea

CASTROVIEJO

∅	
5,0 mm	48205-50
5,5 mm	48205-55
6,0 mm	48205-60
6,5 mm	48205-65
7,0 mm	48205-70
8,0 mm	48205-80
9,0 mm	48205-90
10,0 mm	48205-10
11,0 mm	48205-11



FRANCESCHETTI

∅	
5,0 mm	48206-50
5,1 mm	48206-51
6,0 mm	48206-60
6,1 mm	48206-61
7,0 mm	48206-70
7,1 mm	48206-71
8,0 mm	48206-80
8,1 mm	48206-81
9,0 mm	48206-90
9,1 mm	48206-91
10,0 mm	48206-10

Tonometer
Tonometers
Tonómetro



compl. = 4
48207-1



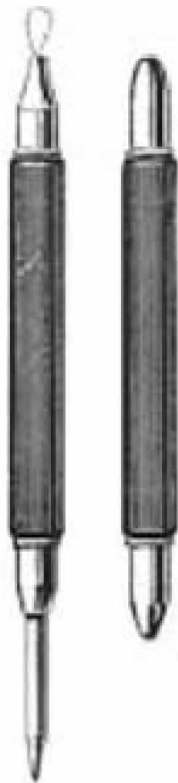
SCHIOETZ

Skala/Scale/Escala:

Gerade/Straight/Recto **48208-1**

Schräg/Oblique/Oblicuo **48208-2**

Augen-Magnet
Eye-Magnet
Imán ocular



48209-1



BEER

9,0 cm 48210-9



DOUGLAS

9,0 cm 48211-9



LITTAUER

8,5 cm 48212-8

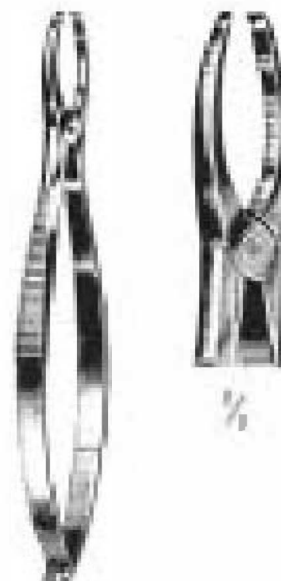


BARRAQUER

10,5 cm 48213-10



9,0 cm 48214-9



GRADLE

9,5 cm 48215-9