

Neurochirurgie, Laminektomie
Neurosurgery, Laminectomy
Neurocirugía, Laminectomía

20



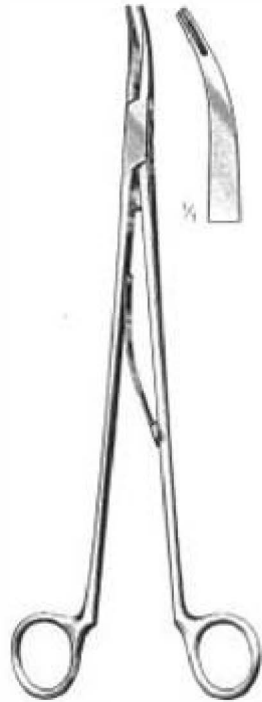
McKenzie

15 cm **33001-15**
19 cm **33001-19**



McKenzie

15 cm **33002-15**
19 cm **33002-19**



SMITHWICK

23 cm **33003-23**
26 cm **33003-26**



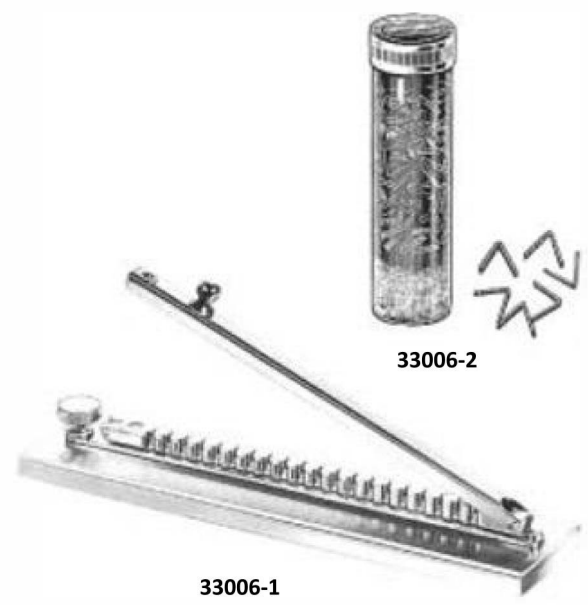
SWEET

23 cm **33004-23**
26 cm **33004-26**



OLIVECRONA-TOENNIS

33005-14



33006-1
148x40x6 mm

33006-2



33007-3
3,5 mm



33007-5
5,0 mm



CRUTCHFIELD

33008-1

Kopfhautklammer, -Anlegezange
Scalp Hemostatic Clip, Applying Forceps
Clip hemostático del cuero cabelludo, Pinzas para poner grapas



CRUTCHFIELD

33009-1



RANEY
33010-2



RANEY

33010-1



DANDY

DANDY

DANDY

CUSHING

CUSHING

GRAHAM

SACHS

33011-20
20 cm

33012-20
20 cm

33013-20
20 cm

33014-28
28 cm

33015-28
28 cm

33016-16
16,5 cm

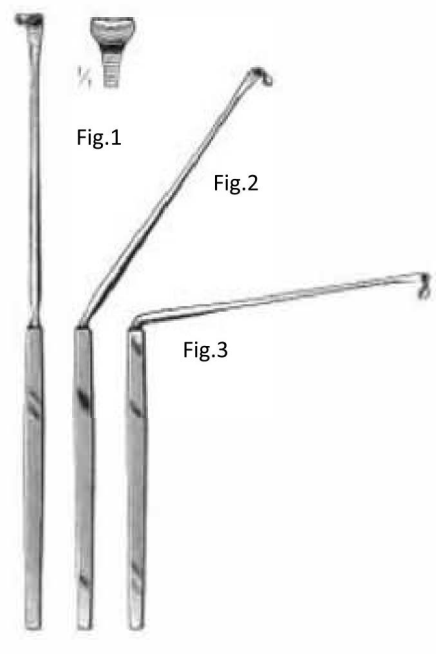
33017-18
18,5 cm



ADSON

ADSON

SMITHWICK



LOVE

33018-20
20 cm

33019-20
20 cm

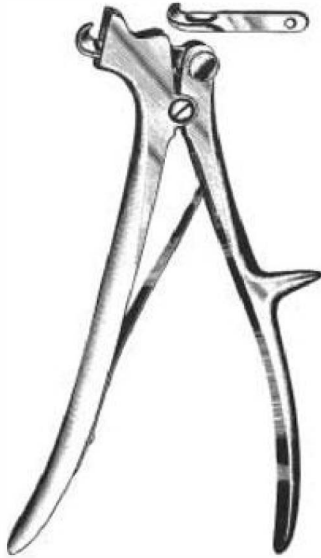
33020-29
29 cm

Fig.1 **33021-1**
 Fig.2 **33021-2**
 Fig.3 **33021-3**



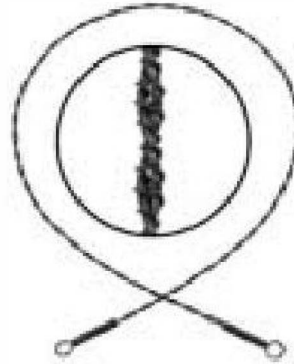
De MARTEL

33022-33
33 cm



De VILBISS

33023-0
21 cm



OLIVECRONA

30 cm **33024-30**
40 cm **33024-40**
50 cm **33024-50**
60 cm **33024-60**
70 cm **33024-70**



GIGLI

33025-0
1 Paar
1 Paar

Dura-Dissektoren
Dura-Dissectors
Bisturís para duramadre



TOENNIS

33026-25
25 cm



SACHS

33027-20
20cm



SACHS

33028-20
20 cm



MILLIGAN

33029-20
20 cm



33030-22
22 cm



DAVIS

33031-25
25 cm

Dura-Dissektoren
 Dura-Dissectors
 Bisturís para duramadre



PENFIELD

33032-17
 17,5 cm



PENFIELD

33033-19
 19,5 cm



PENFIELD

33034-19
 19,5 cm



PENFIELD

33035-20
 20,5 cm



PENFIELD

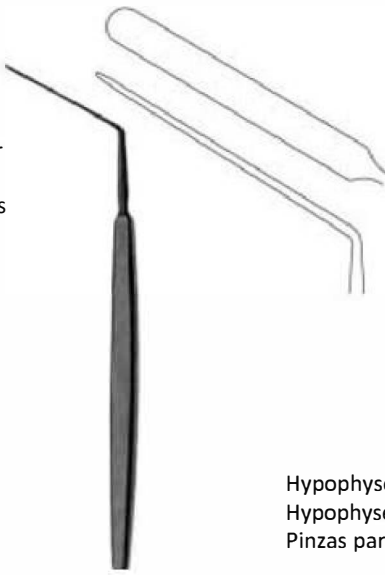
33036-18
 18,5 cm

Dura-Messer
 Dura-Knives
 Descoladores



HALLE

33037-0



HORSLEY

33038-0

Hypophysenpinzetten
 Hypophyseal Forceps
 Pinzas para Hipófisis



ADSON

33039-0



ADSON

33040-0



ADSON

33041-0



CUSHING

- 7/ 9x180 mm **33042-1**
- 11/13x180mm **33042-2**
- 15/18x180mm **33042-3**
- 18/22x180mm **33042-4**



OLIVECRONA

- 7/ 9x180mm **33043-1**
- 11/13x180mm **33043-2**
- 15/18x180mm **33043-3**
- 18/22x180mm **33043-4**



HEIFETZ

- 8 mm **33044-8**
- 11 mm **33044-11**
- 14 mm **33044-14**
- 17 mm **33044-17**



ADSON

- 33045-4-21**
- 21cm/4mm



FRAZIER
19 cm

Charr.	30°	75°
F.G.		
6	33046-6-30	33046-6-75
7	33046-7-30	33046-7-75
8	33046-8-30	33046-8-75
9	33046-9-30	33046-9-75
10	33046-10-30	33046-10-75
11	33046-11-30	33046-11-75
12	33046-12-30	33046-12-75
15	33046-15-30	33046-15-75



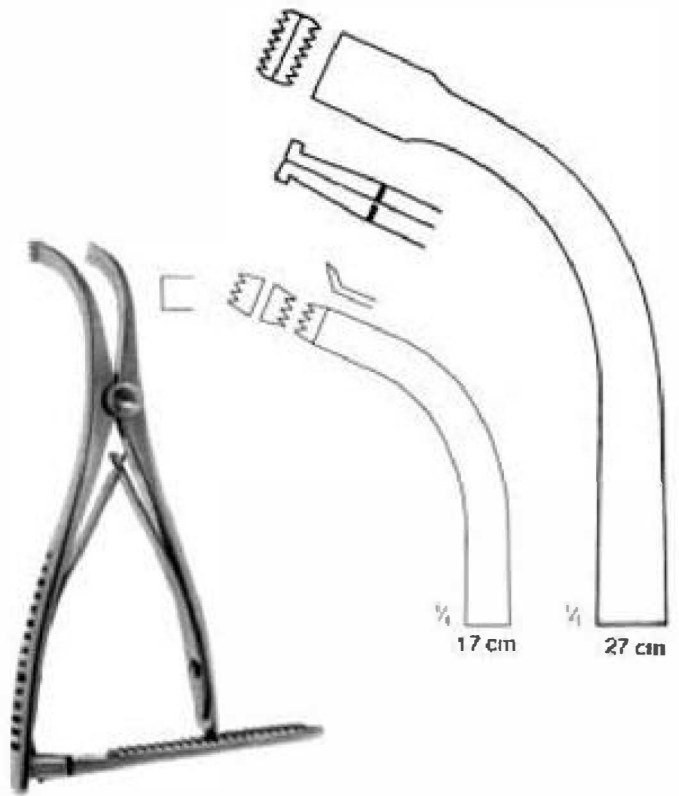
FRAZIER

- 33047-3-12**
- 12 cm/3 mm



CLOWARD

33048-0



INGE

17 cm **33049-17**

27 cm **33049-27**



CUSHING
 2 mm



2x10 mm	L	2x10 mm/45°	L	2x10 mm/45°	L
33050-2-1-12	12,5 cm	33050-2-2-12	12,5 cm	33050-2-3-12	12,5 cm
33050-2-1-18	18,0 cm	33050-2-2-18	18,0 cm	33050-2-3-18	18,0 cm

LOVE-GRUENWALD
 3 mm

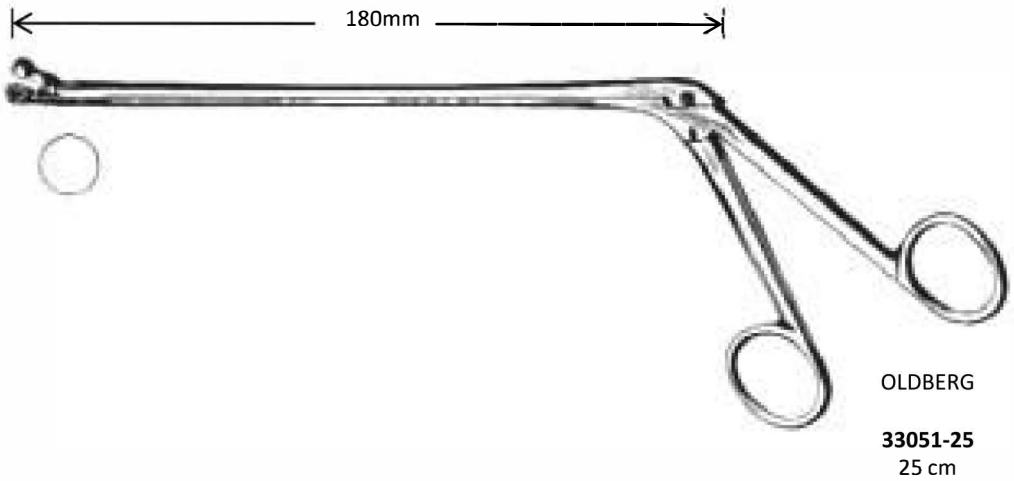


3x10 mm	L	3x10 mm/45°	L	3x10 mm/45°	L
33050-3-1-12	12,5 cm	33050-3-2-12	12,5 cm	33050-3-3-12	12,5 cm
33050-3-1-18	18,0 cm	33050-3-2-18	18,0 cm	33050-3-3-18	18,0 cm

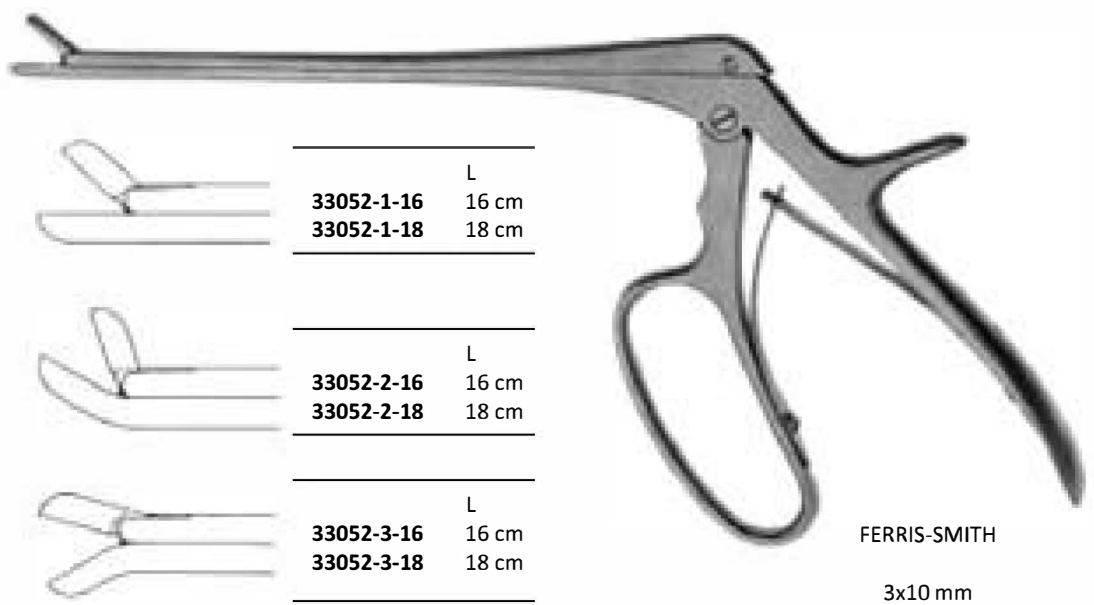
SPURLING
 4 mm



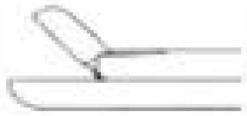


4x10 mm	L	4x10 mm/45°	L	4x10 mm/45°	L
33050-4-1-12	12,5 cm	33050-4-2-12	12,5 cm	33050-4-3-12	12,5 cm
33050-4-1-18	18,0 cm	33050-4-2-18	18,0 cm	33050-4-3-18	18,0 cm

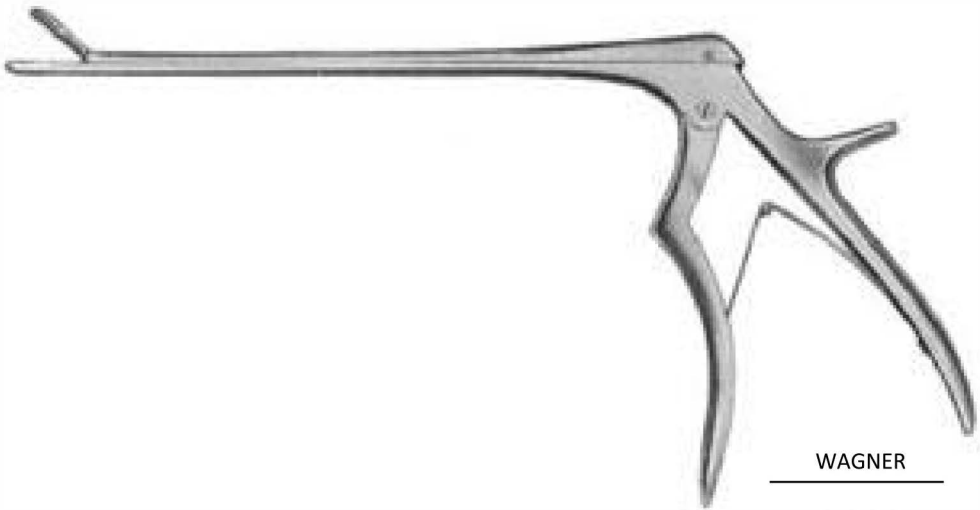


OLDBERG
33051-25
 25 cm



FERRIS-SMITH
 3x10 mm

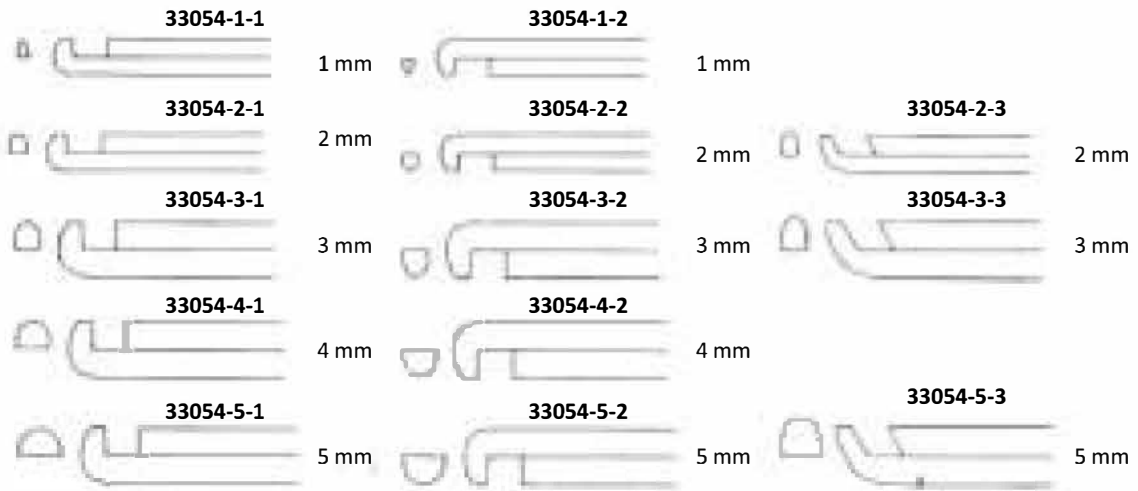
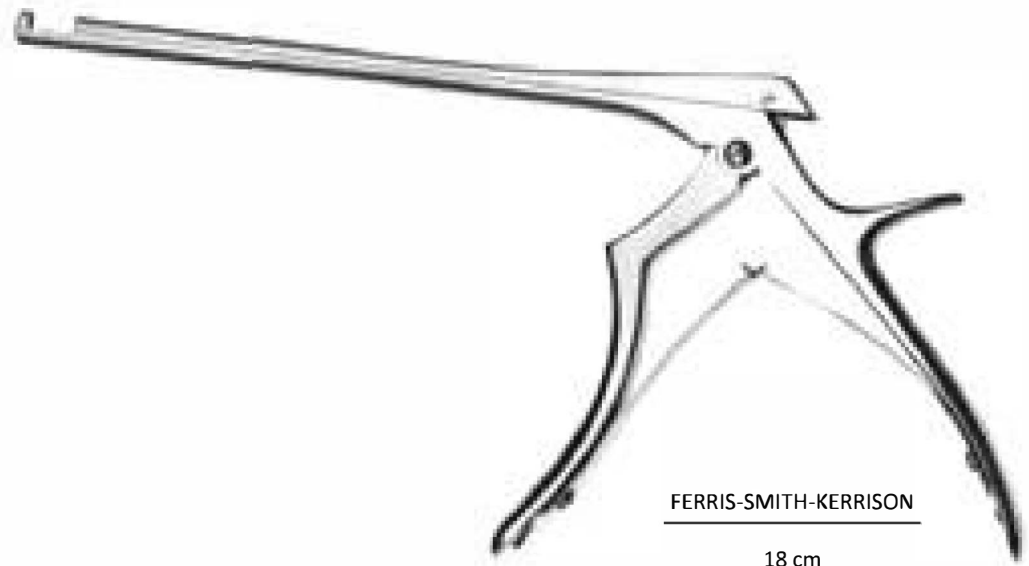
		L
33052-1-16	16 cm	
33052-1-18	18 cm	
<hr/>		
		L
33052-2-16	16 cm	
33052-2-18	18 cm	
<hr/>		
		L
33052-3-16	16 cm	
33052-3-18	18 cm	

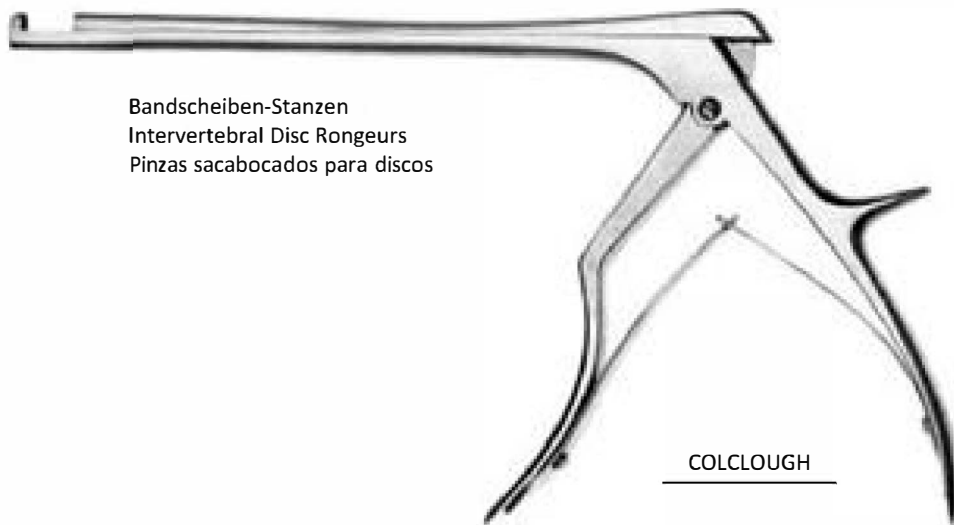


WAGNER

33053-20
20 cm
4x10mm

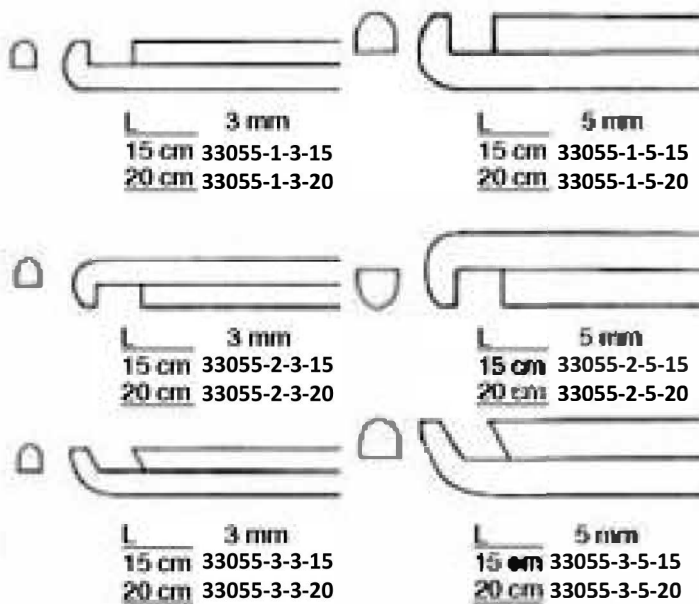
Bandscheiben-Stanzen
 Intervertebral Disc Rongeurs
 Pinzas sacabocados para discos





Bandscheiben-Stanzen
Intervertebral Disc Rongeurs
Pinzas sacabocados para discos

COLCLOUGH



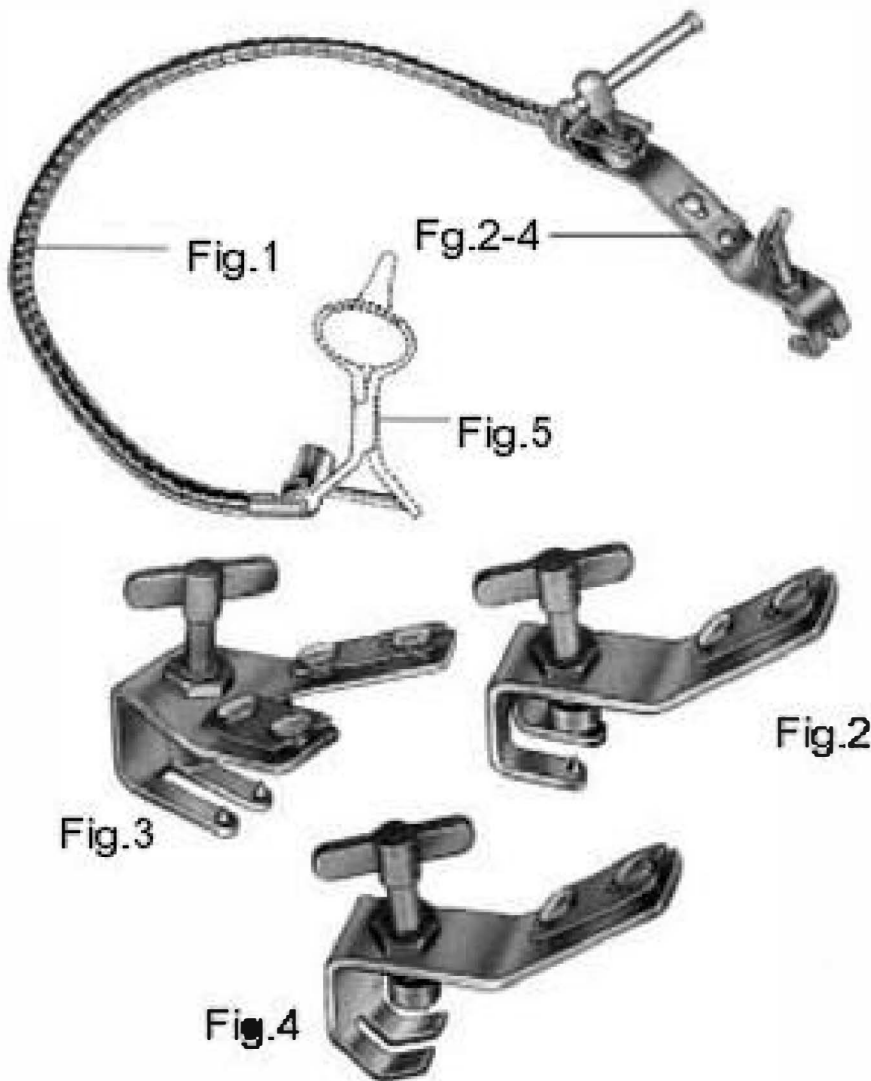


Fig.1 33056-1
Fig.2 33056-2
Fig.3 33056-3
Fig.4 33056-4
Fig.5 33056-5

Fig.1 Spannarm allein
Flexible arm only
Brazo flexible suelto

Fig.2 Fixiervorrichtung am Schädel für 1 Arm
Fixation base for 1 arm at skull
Fijador para 1 brazo al cráneo

Fig.3 Fixiervorrichtung am Schädel für 2 Arme
Fixation base for 2 arms at skull
Fijador para 2 brazos al cráneo

Fig.4 Fixiervorrichtung am Starrarm für 1 Arm
Fixation base for 1 arm at rigid arm
Fijador para 1 brazo al cráneo

Fig.5 Ohrtrichterhalter allein
Ear specula holder only
Soporte solo para espejuelo de oídos

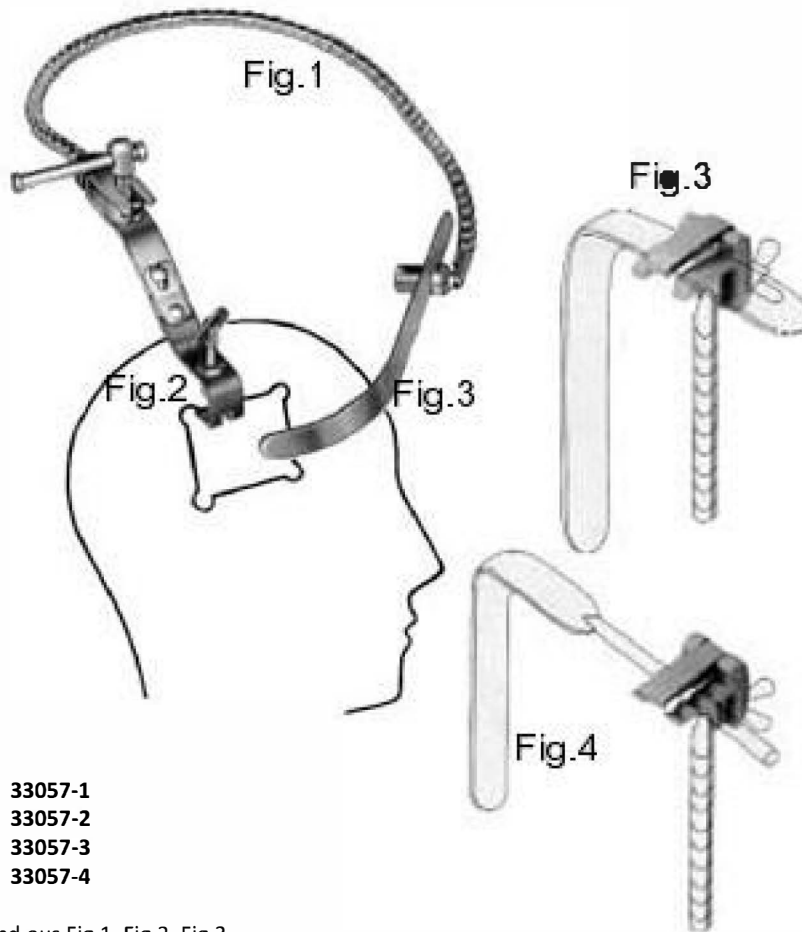


Fig.1 33057-1
Fig.2 33057-2
Fig.3 33057-3
Fig.4 33057-4

Set kompl. bestehend aus Fig.1, Fig.2, Fig.3
Set compl. consisting Fig.1, Fig.2, Fig.3
Set compl. consistente Fig. 1, Fig. 2, Fig. 3
33057-0

- Fig.1 Spannarm allein
Flexible arm only
Brazo flexible suelto
- Fig.2 Fixiervorrichtung am Schädel für 1 Arm
Fixation base for 1 arm at skull
Fijador para 1 brazo al cráneo
- Fig.3 Halter für flache Hirnspatel
Holder for flat brain spatula
Soporte para espátulas llanas
- Fig.4 Halter für Hirnspatel mit rundem Schaft
Holder for brain spatula with round stem
Soporte para espátulas con vástago redondo

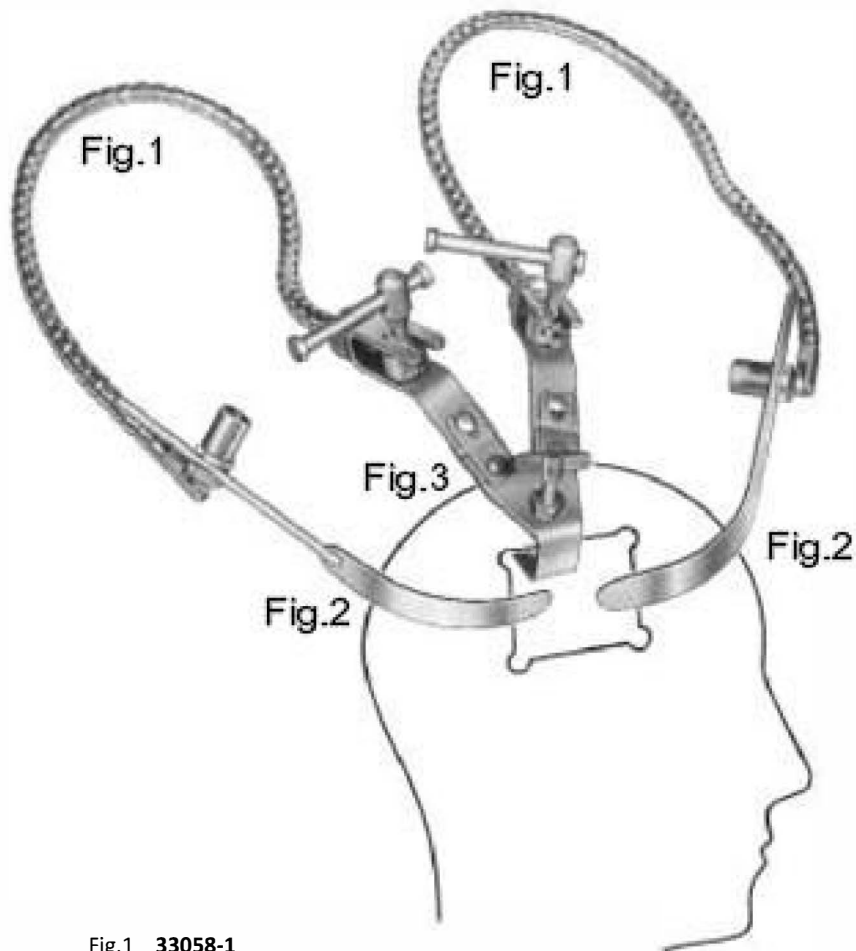


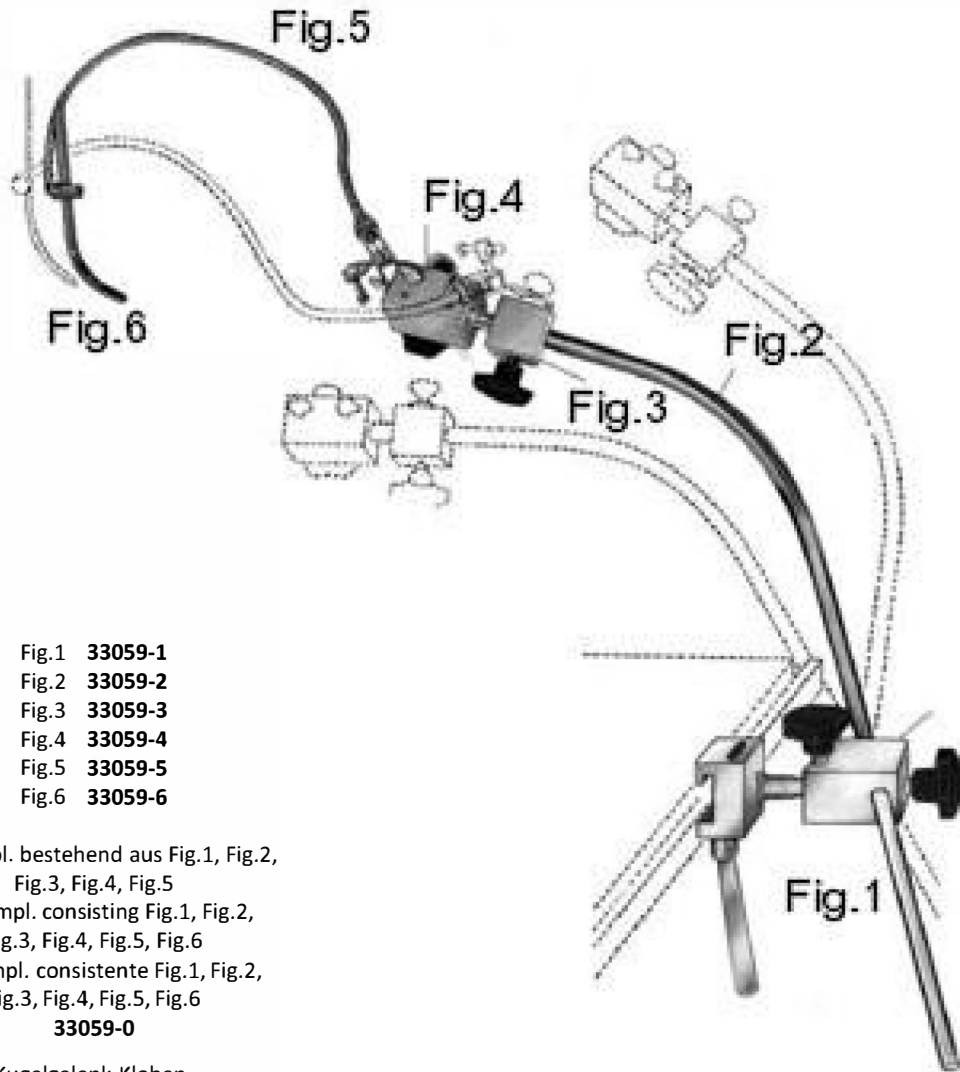
Fig.1 33058-1
Fig.2 33058-2
Fig.3 33058-3

Set kompl. bestehend aus 2x Fig.1, 2x Fig.2, 1x Fig.3
Set compl. consisting 2xFig.1, 2xFig.2, 1xFig.3
Set comp1. consistente 2xFig.1, 2xFig.2, 1xFig.3
33058-0

Fig.1 Spannarm allein
Flexible arm only
Brazo flexible suelto

Fig.2 Fixiervorrichtung am Schädel für 2 Arme
Fixation base for 2 arms at skull
Fijador para 2 brazos a1 cráneo

Fig.3 Halter für flache Hirnspatel
Holder for flat brain spatula
Soporte para espátulas llanas



- Fig.1 33059-1
- Fig.2 33059-2
- Fig.3 33059-3
- Fig.4 33059-4
- Fig.5 33059-5
- Fig.6 33059-6

Set kompl. bestehend aus Fig.1, Fig.2,
 Fig.3, Fig.4, Fig.5

Set compl. consisting Fig.1, Fig.2,
 Fig.3, Fig.4, Fig.5, Fig.6

Set compl. consistente Fig.1, Fig.2,
 Fig.3, Fig.4, Fig.5, Fig.6

33059-0

- Fig.1 Kugelgelenk Kloben
 Ball and socket joint, articulated
 Junta de rótula, articulada
- Fig.2 Haltearm
 Holding rod for fixation
 Barra de sujeción para fijación
- Fig.3 Kupplungskopf, drehbar
 Coupling head rotatable
 Cabezal de acoplamiento rotativo
- Fig.4 Kupplungskopf für max. 5 Spannarme
 Coupling head for 5 flexible arms max.
 Cabezal de acoplamiento para max. 5 brazos flexibles
- Fig.5 Spannarm allein
 Flexible arm only
 Brazo flexible suelto
- Fig.6 Halter für flache Hirnspatel
 Holder for flat brain spatula
 Soporte para espátula plana de cerebro

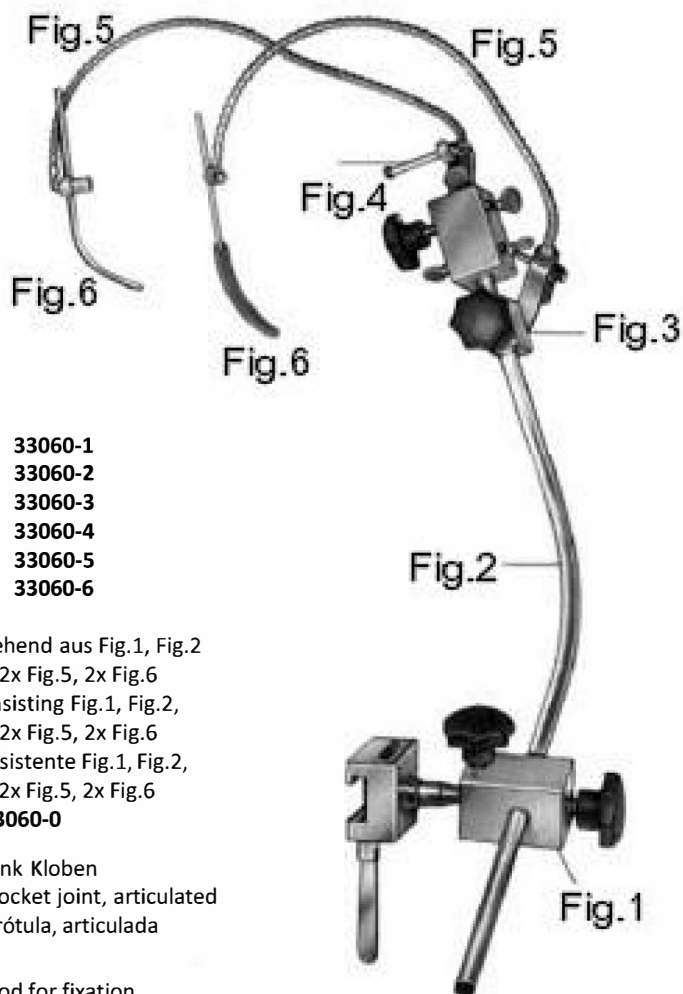


Fig.1 33060-1
Fig.2 33060-2
Fig.3 33060-3
Fig.4 33060-4
Fig.5 33060-5
Fig.6 33060-6

Set kompl. bestehend aus Fig.1, Fig.2

Fig.3, Fig.4, 2x Fig.5, 2x Fig.6

Set compl. consisting Fig.1, Fig.2,
Fig.3, Fig.4, 2x Fig.5, 2x Fig.6

Set compl. consistente Fig.1, Fig.2,

Fig.3, Fig.4, 2x Fig.5, 2x Fig.6

33060-0

Fig.1 Kugelgelenk Kloben
Ball and socket joint, articulated
Junta de rótula, articulada

Fig.2 Haltearm
Holding rod for fixation
Barra de sujeción para fijación

Fig.3 Kupplungskopf drehbar
Coupling head rotatable
Cabezal de acoplamiento rotativo

Fig.4 Kupplungskopf für max. 5 Spannarme
Coupling head for 5 flexible arms max.
Cabezal de acoplamiento para max. 5 brazos flexibles

Fig.5 Spannarm allein
Flexible arm only
Brazo flexible suelto

Fig.6 Halter für flache Hirnspatel
Holder for flat brain spatula
Soporte para espátula plana de cerebro